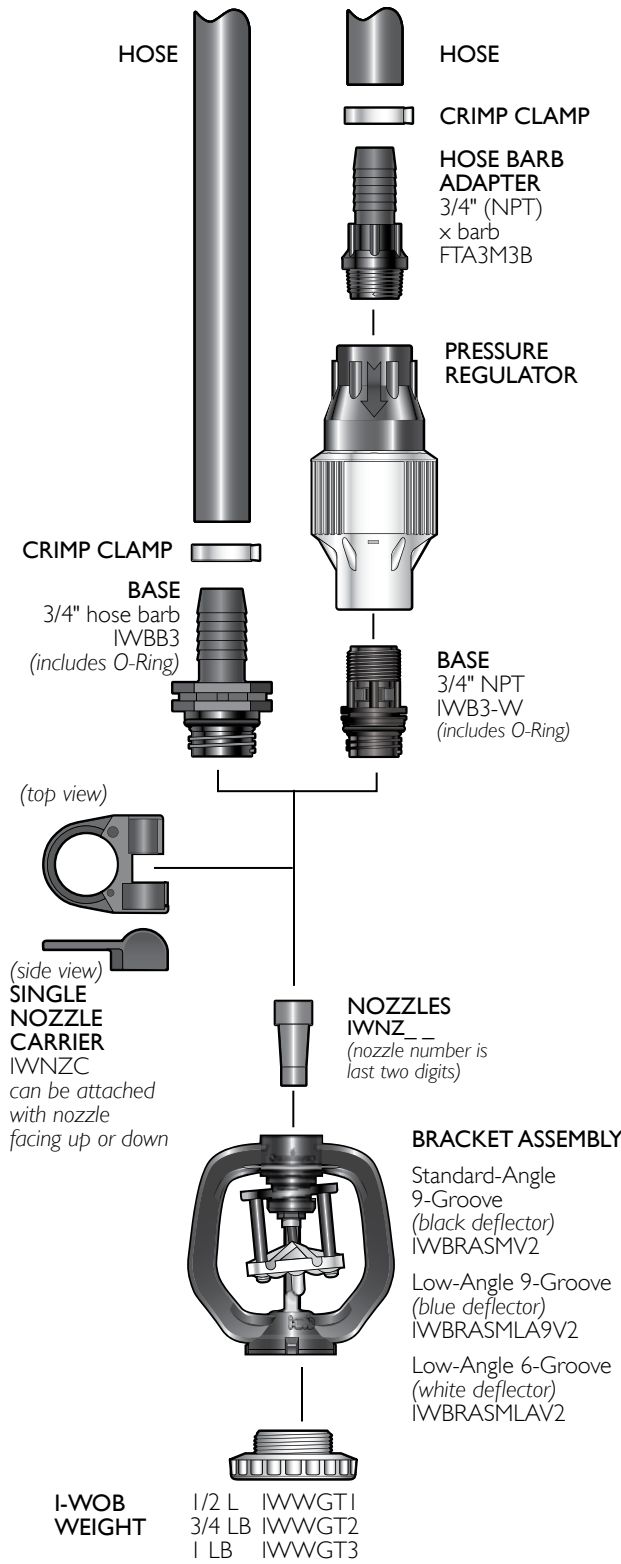
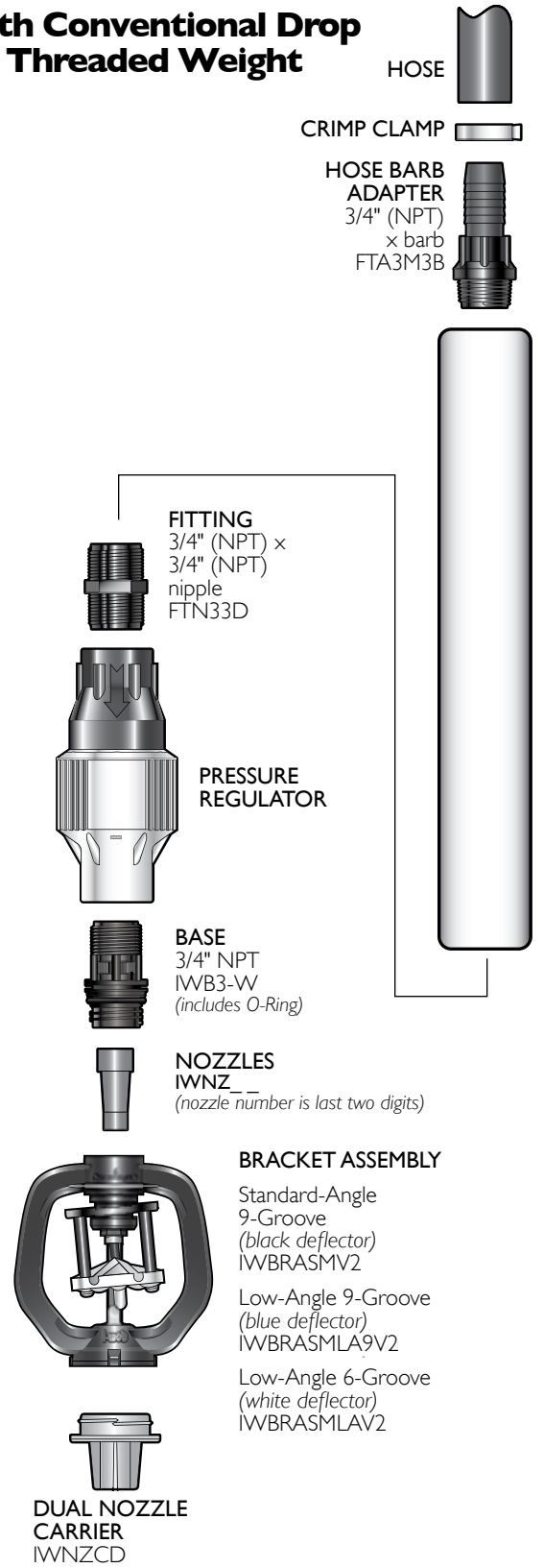




With Threaded Weight



With Conventional Drop Threaded Weight



Note: Selection of weight style (location) is based on application and preference. Only one style weight should be used per i-Wob.

I-WOB COMPONENT ASSEMBLY

1. Always be sure that there is an **O-Ring** around the base just upstream of the bracket thread.
2. Always be sure that the bracket is secured **tightly** onto the base. When properly assembled, there should be a gap of $\sim 1/16$ inch or ~ 1.5 mm between the bracket and the base.
3. Check starter button with a 3/8 inch hex wrench to be sure it is **tightly** screwed onto the bracket.
4. If using the threaded lower weight, always be sure it is **tightly** threaded into the bottom of the i-Wob.
5. If using the double nozzle carrier, always be sure it is **tightly** threaded into the bottom of the i-Wob.

To maintain product warranty, refer to the chart below

	Standard Angle 9-groove (black deflector)	Low Angle 9-groove (blue deflector)	Low Angle 6-groove (white deflector)
Nozzle Number & Size	# 6	# 6	# 12
Minimum	3/32 inch [2.38 mm]	3/32 inch [2.38 mm]	3/16 inch [4.76 mm]
Nozzle Number & Size*	# 26	# 26	#26
Maximum	3/8 inch [9.53 mm]	3/8 inch [9.53 mm]	3/8 inch [9.53 mm]
Maximum Spacing**			
at 6 ft [1.8 m] ground clearance***	20 ft [6.1 m]	18 ft [5.5 m]	15 ft [4.6 m]
Operating Press. at Noz.			
Minimum	10 psi [0.69 bar]	10 psi [0.69 bar]	10 psi [0.69 bar]
Operating Press. at Noz.			
Maximum	20 psi [1.38 bar]	20 psi [1.38 bar]	20 psi [1.38 bar]

* It is recommended that larger nozzle sizes be used only on soils and slopes that can handle higher application rates.

** For optimum performance Senninger recommends the use of maximum spacing for 1-2 spans only.

*** Maintenance note: Keep i-Wobs above crop canopy when outlet spacing exceeds 10 ft. (3 m). This is especially important on high profile crops.

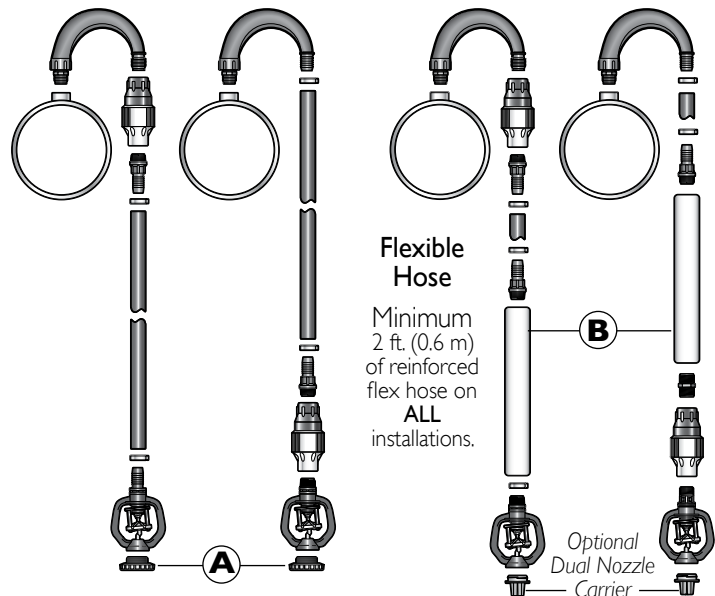
I-WOB SYSTEM ASSEMBLY

Mounting

1. Always mount the i-Wob on a **minimum** of 2 ft. (0.6 m) **reinforced flexible hose**.
2. Mount the i-Wob no less than 3 ft. (0.91 m) above the ground.
3. When using the threaded i-Wob weight, never use another weight above the i-Wob.
4. When using a conventional drop weight, never use a threaded lower weight also.
5. Always be sure the weight is secured **tightly**. If using the threaded lower weight, always be sure it is **tightly** threaded into the bottom of the i-Wob.
6. If using a conventional drop weight (**B**) above the i-Wob, only use a **threaded** weight weighing at least 1.5 lbs (0.7 kg) but not exceeding 15 ft. (0.38 m) in length. Please note that using a “slip-over” drop weight may cause premature failure of the drop hose assembly.
7. See Senninger Gooseneck brochure for additional mounting options.

Ground Clearance

1. **Maximum** ground clearance is dictated by the drop hose component configuration using a minimum of 2 ft. (0.61 m) reinforced flex hose.
2. **Minimum** ground clearance is 3 ft. (0.91 m).



Selection of Weight Style

(A - i-Wob weight and B - Conventional Weight locations) are based on application and preference.

Only one style weight should be used per i-Wob.

Pressure Regulator Location

Pressure regulators can be installed at the **top of the drop** or **near the applicator** as shown. **Always** follow your customized printout for proper pressure regulator placement.

Important

To maintain product warranty and maximize drop component life, refer to the information and diagrams above.